



# HV & UHV Vacuum Products Catalogue

- ▶ COMPONENTS
- ▶ CONSUMABLES
- ▶ VALVES
- ▶ PUMPS
- ▶ GAUGES
- ▶ MANIPULATION

- ▶ MASS FLOW
- ▶ FEEDTHROUGHS
- ▶ CHAMBERS
- ▶ ASSEMBLIES
- ▶ MATERIALS
- ▶ SYSTEMS

# KF Flanges and Components

- Viewports



## KF Viewports

Page

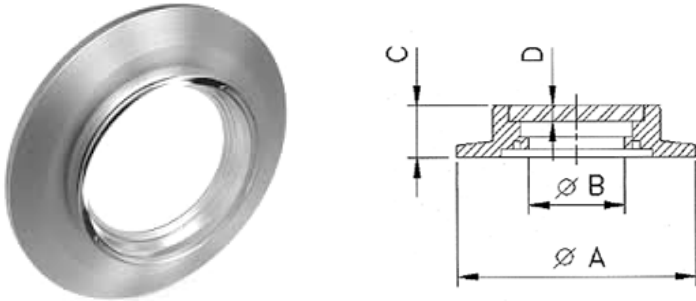
B7

Viewport. Kodial Glass. 304L

### CONTENTS



KF Viewports | Kodial Glass



- Standard materials SS 316L / Borosilicate glass
- Temperature range: 150°C
- Quartz glass (fused silica), MgF, Sapphire and Lead coating options available by request
- Full range of centering rings, O-rings and clamps in-stock

| NW   | A dimension | B dimension | C dimension | D dimension | Part Code |
|------|-------------|-------------|-------------|-------------|-----------|
| KF16 | 30.0        | 16.0        | 13.0        | 1.6         | KF16KVP   |
| KF25 | 40.0        | 16.0        | 13.0        | 1.6         | KF25KVP   |
| KF40 | 55.0        | 32.0        | 13.0        | 7.3         | KF40KVP   |
| KF50 | 75.0        | 32.0        | 13.0        | 7.3         | KF50KVP   |

all dimensions are measured in millimetres (mm) unless otherwise stated

Centering Rings & O-rings and Clamps

| NW   | Type      | Part Code |
|------|-----------|-----------|
| KF16 | SS/VITON* | KF16CRVSS |
| KF25 | SS/VITON* | KF25CRVSS |
| KF40 | SS/VITON* | KF40CRVSS |
| KF50 | SS/VITON* | KF50CRVSS |

\*Fluorocarbon (temp range -15 to 150°C). Other Centering/O-ring materials available

|          |           |         |
|----------|-----------|---------|
| KF16     | Aluminium | KF16CAL |
| KF25     | Aluminium | KF25CAL |
| KF40(32) | Aluminium | KF40CAL |
| KF50     | Aluminium | KF50CAL |

other clamp materials and styles available



Contact us...



k-tech supplies ltd  
wild thyme  
udimore road  
broadland row  
broad oak  
rye  
east sussex  
tn31 6bx  
united kingdom

web : [www.ktechsupplies.co.uk](http://www.ktechsupplies.co.uk)  
email : [enquiries@ktechsupplies.co.uk](mailto:enquiries@ktechsupplies.co.uk)  
tel : +44 (0)1424 400 235  
fax : +44 (0)7006 044 223