



HV & UHV Vacuum Products Catalogue

- ▶ COMPONENTS
- ▶ CONSUMABLES
- ▶ VALVES
- ▶ PUMPS
- ▶ GAUGES
- ▶ MANIPULATION

- ▶ MASS FLOW
- ▶ FEEDTHROUGHS
- ▶ CHAMBERS
- ▶ ASSEMBLIES
- ▶ MATERIALS
- ▶ SYSTEMS

KF Flanges and Components

- Tees



KF Tees

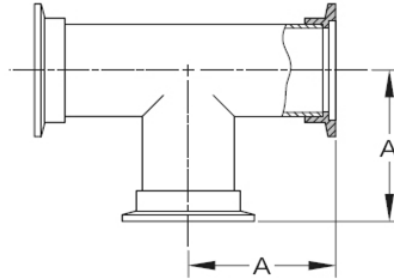
Page

- B8 Tee. Equal. 304L
- B9 Tee. Unequal. 304L

CONTENTS



KF Tees | Equal



- Standard material SS 304L ...also available in SS 316L and Al
- Temperature range: -195 to 300°C ...200°C; Al. 350°C; 316L
- Custom lengths manufactured by request
- Full range of centering rings, O-rings and clamps in-stock

NW	OD dimension	A dimension	ID dimension	Wall	Part Code
KF10	14.0	30.0	10.0	2.0	KF10TEE
KF16	20.0	40.0	16.0	2.0	KF16TEE
KF25	28.0	50.0	24.0	2.0	KF25TEE
KF40	44.5	65.0	40.5	2.0	KF40TEE
KF50	57.0	70.0	51.0	3.0	KF50TEE

all dimensions are measured in millimetres (mm) unless otherwise stated

Centering Rings & O-rings and Clamps

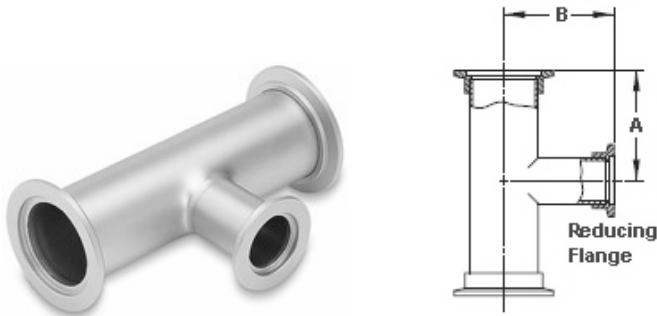
NW	Type	Part Code
KF16/10 adaptive	SS/VITON*	KF1610CRVSS
KF16	SS/VITON*	KF16CRVSS
KF25	SS/VITON*	KF25CRVSS
KF40	SS/VITON*	KF40CRVSS
KF50	SS/VITON*	KF50CRVSS

*Fluorocarbon (temp range -15 to 150°C). Other Centering/O-ring materials available

KF16(10)	Aluminium	KF16CAL
KF25	Aluminium	KF25CAL
KF40(32)	Aluminium	KF40CAL
KF50	Aluminium	KF50CAL

other clamp materials and styles available

KF Reducer Tees | UnEqual



- Standard material SS 304L ...also available in SS 316L and Al
- Temperature range: -195 to 300°C ...200°C; Al 350°C; 316L
- Custom lengths manufactured by request
- Full range of centering rings, O-rings and clamps in-stock

NW	OD dimension	A/B dimension	ID dimension	Wall	Part Code
KF25/16	28.0/20.0	40.0	16.0	2.0	KF2516TEE
KF40/16	44.5/20.0	40.0	24.0	2.0	KF4016TEE
KF40/25	44.5/28.0	50.0	40.5	2.0	KF4025TEE
KF50/16	57.0/20.0	50.0	51.0	3.0	KF5016TEE
KF50/25	57.0/28.0	65.0	51.0	3.0	KF5025TEE
KF50/40	57.0/44.5	65.0	51.0	3.0	KF5040TEE

all dimensions are measured in millimetres (mm) unless otherwise stated

Centering Rings & O-rings and Clamps

NW	Type	Part Code
KF16/10 adaptive	SS/VITON*	KF1610CRVSS
KF16	SS/VITON*	KF16CRVSS
KF25	SS/VITON*	KF25CRVSS
KF40	SS/VITON*	KF40CRVSS
KF50	SS/VITON*	KF50CRVSS

*Fluorocarbon (temp range -15 to 150°C). Other Centering/O-ring materials available

KF16(10)	Aluminium	KF16CAL
KF25	Aluminium	KF25CAL
KF40(32)	Aluminium	KF40CAL
KF50	Aluminium	KF50CAL

other clamp materials and styles available



Contact us...



k-tech supplies ltd
wild thyme
udimore road
broadland row
broad oak
rye
east sussex
tn31 6bx
united kingdom

web : www.ktechsupplies.co.uk
email : enquiries@ktechsupplies.co.uk
tel : +44 (0)1424 400 235
fax : +44 (0)7006 044 223