



HV & UHV Vacuum Products Catalogue

- ▶ COMPONENTS
- ▶ CONSUMABLES
- ▶ VALVES
- ▶ PUMPS
- ▶ GAUGES
- ▶ MANIPULATION

- ▶ MASS FLOW
- ▶ FEEDTHROUGHS
- ▶ CHAMBERS
- ▶ ASSEMBLIES
- ▶ MATERIALS
- ▶ SYSTEMS

KF Flanges and Components

- Flanges

CONTENTS



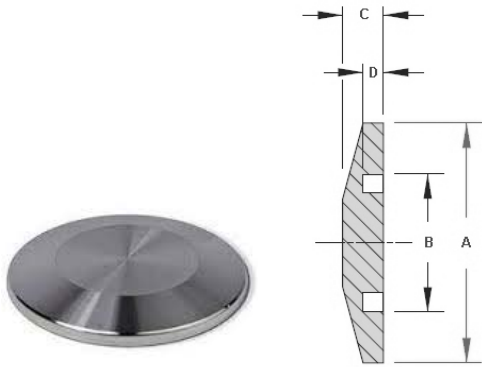
KF Flanges

Page

B1	Blank. 304L
B2	Bored. 304L
B3	Blank. Stub. 304L
B4	Bored. Stub. 304L



KF Blank Flanges



- Standard material SS 304L ...also available in 316L and Al
- Temperature range: -195 to 300°C ...200°C; Al. 350°C; 316L
- Full range of centering rings, O-rings and clamps in-stock

NW	A dimension	B dimension	C dimension	D dimension	Part Code
KF10	30.0	12.2	5.0	2.5	KF10X00BL
KF16	30.0	17.2	5.0	2.5	KF16X00BL
KF25	40.0	26.2	5.0	2.5	KF25X00BL
KF32	55.0	34.2	5.0	2.5	KF32X00BL
KF40	55.0	41.2	5.0	2.5	KF40X00BL
KF50	75.0	52.2	5.0	2.5	KF50X00BL

all dimensions are measured in millimetres (mm) unless otherwise stated

Centering Rings & O-rings and Clamps

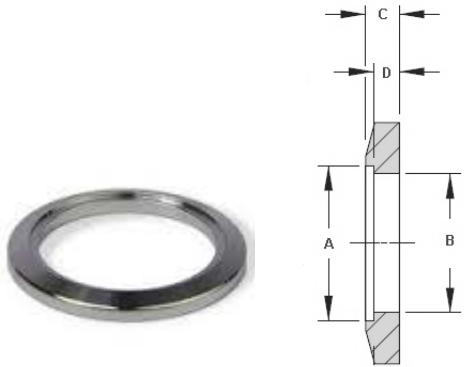
NW	Type	Part Code
KF16/10 adaptive	SS/VITON*	KF1610CRVSS
KF10	SS/VITON*	KF10CRVSS
KF16	SS/VITON*	KF16CRVSS
KF25	SS/VITON*	KF25CRVSS
KF32	SS/VITON*	KF32CRVSS
KF40	SS/VITON*	KF40CRVSS
KF50	SS/VITON*	KF50CRVSS

*Fluorocarbon (temp range -15 to 150°C). Other Centering/O-ring materials available

KF16(10)	Aluminium	KF16CAL
KF25	Aluminium	KF25CAL
KF40(32)	Aluminium	KF40CAL
KF50	Aluminium	KF50CAL

other clamp materials and styles available

KF Bored Flanges



- Standard material SS 304L ...also available in 316L and Al
- Temperature range: -195 to 300°C ...200°C; Al. 350°C; 316L
- Full range of centering rings, O-rings and clamps in-stock

NW	A dimension	B dimension	C dimension	D dimension	Part Code
KF10	12.8	12.2	5.0	2.5	KF10X13BO
KF16	19.2	17.2	5.0	2.5	KF16X19BO
KF16	20.0	17.2	5.0	2.5	KF16X20BO
KF25	25.6	26.2	5.0	2.5	KF25X25BO
KF25	28.2	26.2	5.0	2.5	KF25X28BO
KF32	38.4	34.2	5.0	2.5	KF32X38BO
KF40	38.4	41.2	5.0	2.5	KF40X38BO
KF40	44.7	41.2	5.0	2.5	KF40X41BO
KF50	51.0	52.2	5.0	2.5	KF50X51BO
KF50	57.2	52.4	5.0	2.5	KF50X57BO

all dimensions are measured in millimetres (mm) unless otherwise stated

Centering Rings & O-rings and Clamps

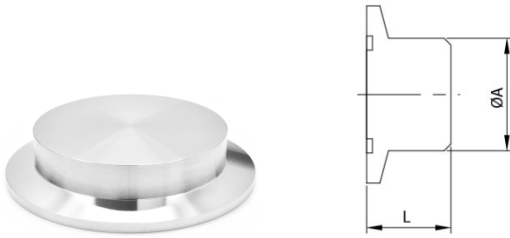
NW	Type	Part Code
KF16/10 adaptive	SS/VITON*	KF1610CRVSS
KF10	SS/VITON*	KF10CRVSS
KF16	SS/VITON*	KF16CRVSS
KF25	SS/VITON*	KF25CRVSS
KF32	SS/VITON*	KF32CRVSS
KF40	SS/VITON*	KF40CRVSS
KF50	SS/VITON*	KF50CRVSS

*Fluorocarbon (temp range -15 to 150°C). Other Centering/O-ring materials available

KF16(10)	Aluminium	KF16CAL
KF25	Aluminium	KF25CAL
KF40(32)	Aluminium	KF40CAL
KF50	Aluminium	KF50CAL

other clamp materials and styles available

KF Stub Flanges | Blank



- Standard material SS 304L ...also available in SS 316L, Al and Brass
- Temperature range: -195 to 300°C ...200°C; Al. 350°C; 316L
- Full range of centering rings, O-rings and clamps in-stock

NW	L dimension	A dimension	Part Code
KF10	19.1	19.1	KF10X00BLS
KF16	19.1	19.1	KF16X00BLS
KF25	25.4	19.1	KF25X00BLS
KF40	38.1	25.4	KF40X00BLS
KF50	50.8	25.4	KF50X00BLS

all dimensions are measured in millimetres (mm) unless otherwise stated

Centering Rings & O-rings and Clamps

NW	Type	Part Code
KF16/10 adaptive	SS/VITON*	KF1610CRVSS
KF10	SS/VITON*	KF10CRVSS
KF16	SS/VITON*	KF16CRVSS
KF25	SS/VITON*	KF25CRVSS
KF32	SS/VITON*	KF32CRVSS
KF40	SS/VITON*	KF40CRVSS
KF50	SS/VITON*	KF50CRVSS

*Fluorocarbon (temp range -15 to 150°C). Other Centering/O-ring materials available

KF16(10)	Aluminium	KF16CAL
KF25	Aluminium	KF25CAL
KF40(32)	Aluminium	KF40CAL
KF50	Aluminium	KF50CAL

other clamp materials and styles available

KF Stub Flanges | Bored



- Standard material SS 304L ...also available in SS 316L, Al and Brass
- Temperature range: -195 to 300°C ...200°C; Al. 350°C; 316L
- Other flange lengths available by request
- Full range of centering rings, O-rings and clamps in-stock

NW	A dimension	B dimension	C dimension	Part Code
KF10	30.0	14.0	30.0	KF10X14WS
KF16	30.0	20.0	30.0	KF16X20WS
KF25	40.0	28.0	30.0	KF25X28WS
KF40	55.0	44.5	30.0	KF40X44WS
KF50	75.0	57.0	30.0	KF50X57WS

all dimensions are measured in millimetres (mm) unless otherwise stated

Centering Rings & O-rings and Clamps

NW	Type	Part Code
KF16/10 adaptive	SS/VITON*	KF1610CRVSS
KF10	SS/VITON*	KF10CRVSS
KF16	SS/VITON*	KF16CRVSS
KF25	SS/VITON*	KF25CRVSS
KF32	SS/VITON*	KF32CRVSS
KF40	SS/VITON*	KF40CRVSS
KF50	SS/VITON*	KF50CRVSS

*Fluorocarbon (temp range -15 to 150°C). Other Centering/O-ring materials available

KF16(10)	Aluminium	KF16CAL
KF25	Aluminium	KF25CAL
KF40(32)	Aluminium	KF40CAL
KF50	Aluminium	KF50CAL

other clamp materials and styles available



Contact us...



k-tech supplies ltd
wild thyme
udimore road
broadland row
broad oak
rye
east sussex
tn31 6bx
united kingdom

web : www.ktechsupplies.co.uk
email : enquiries@ktechsupplies.co.uk
tel : +44 (0)1424 400 235
fax : +44 (0)7006 044 223