



HV & UHV Vacuum Products Catalogue

- ▶ **COMPONENTS**
- ▶ **CONSUMABLES**
- ▶ VALVES
- ▶ PUMPS
- ▶ GAUGES
- ▶ MANIPULATION

- ▶ MASS FLOW
- ▶ FEEDTHROUGHS
- ▶ CHAMBERS
- ▶ ASSEMBLIES
- ▶ MATERIALS
- ▶ SYSTEMS

KF Flanges and Components

- **Crosses**



KF Crosses

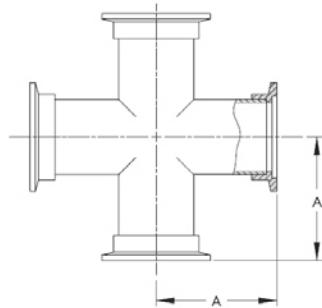
Page

B16	4-Way Cross. Equal. 304L
B17	4-Way Cross. Unequal. 304L
B18	5-Way Cross. 304L
B19	6-Way Cross. 304L

CONTENTS



KF 4-Way Crosses



- Standard material SS 304L ...also available in SS 316L and Al
- Temperature range: -195 to 300°C ...200°C; Al. 350°C; 316L
- Custom lengths manufactured by request
- Full range of centering rings, O-rings and clamps in-stock

NW	OD dimension	A dimension	ID dimension	Wall	Part Code
KF16	20.0	40.0	16.0	2.0	KF16/4X
KF25	28.0	50.0	24.0	2.0	KF25/4X
KF40	44.5	65.0	40.5	2.0	KF40/4X
KF50	57.0	70.0	51.0	3.0	KF50/4X

all dimensions are measured in millimetres (mm) unless otherwise stated

Centering Rings & O-rings and Clamps

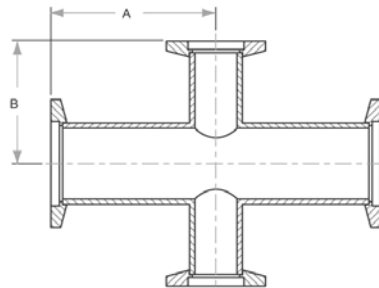
NW	Type	Part Code
KF16/10 adaptive	SS/VITON*	KF1610CRVSS
KF16	SS/VITON*	KF16CRVSS
KF25	SS/VITON*	KF25CRVSS
KF40	SS/VITON*	KF40CRVSS
KF50	SS/VITON*	KF50CRVSS

*Fluorocarbon (temp range -15 to 150°C). Other Centering/O-ring materials available

KF16(10)	Aluminium	KF16CAL
KF25	Aluminium	KF25CAL
KF40(32)	Aluminium	KF40CAL
KF50	Aluminium	KF50CAL

other clamp materials and styles available

KF 4-Way Crosses | UnEqual



- Standard material SS 304L ...also available in SS 316L and Al
- Temperature range: -195 to 300°C ...200°C; Al. 350°C; 316L
- Custom lengths manufactured by request
- Full range of centering rings, O-rings and clamps in-stock

NW	A dimension	B dimension	ID dimension	Wall	Part Code
KF25 / KF16	50.0	43.2	24.0 / 16.0	2.0	KF2516/4XR
KF40 / KF25	65.0	56.4	40.5 / 24.0	2.0	KF4025/4XR
KF40 / KF16	65.0	49.5	40.5 / 16.0	2.0	KF4016/4XR
KF50 / KF40	70.0	71.4	51.0 / 40.5	3.0	KF5040/4XR
KF50 / KF25	70.0	62.7	51.0 / 24.0	3.0	KF5025/4XR
KF50 / KF16	70.0	55.9	51.0 / 16.0	3.0	KF5016/4XR

all dimensions are measured in millimetres (mm) unless otherwise stated

Centering Rings & O-rings and Clamps

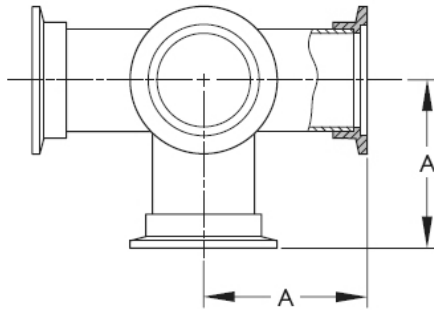
NW	Type	Part Code
KF16/10 adaptive	SS/VITON*	KF1610CRVSS
KF16	SS/VITON*	KF16CRVSS
KF25	SS/VITON*	KF25CRVSS
KF40	SS/VITON*	KF40CRVSS
KF50	SS/VITON*	KF50CRVSS

*Fluorocarbon (temp range -15 to 150°C). Other Centering/O-ring materials available

KF16(10)	Aluminium	KF16CAL
KF25	Aluminium	KF25CAL
KF40(32)	Aluminium	KF40CAL
KF50	Aluminium	KF50CAL

other clamp materials and styles available

KF 5-Way Crosses



- Standard material SS 304L ...also available in SS 316L and Al
- Temperature range: -195 to 300°C ...200°C; Al. 350°C; 316L
- Custom lengths manufactured by request
- Full range of centering rings, O-rings and clamps in-stock

NW	OD dimension	A dimension	ID dimension	Wall	Part Code
KF16	20.0	40.0	16.0	2.0	KF16/5X
KF25	28.0	50.0	24.0	2.0	KF25/5X
KF40	44.5	65.0	40.5	2.0	KF40/5X
KF50	57.0	70.0	51.0	3.0	KF50/5X

all dimensions are measured in millimetres (mm) unless otherwise stated

Centering Rings & O-rings and Clamps

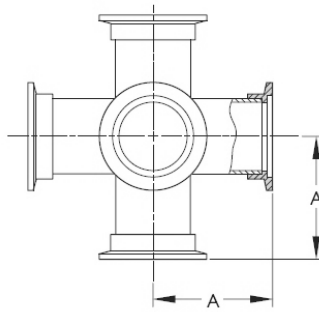
NW	Type	Part Code
KF16/10 adaptive	SS/VITON*	KF1610CRVSS
KF16	SS/VITON*	KF16CRVSS
KF25	SS/VITON*	KF25CRVSS
KF40	SS/VITON*	KF40CRVSS
KF50	SS/VITON*	KF50CRVSS

*Fluorocarbon (temp range -15 to 150°C). Other Centering/O-ring materials available

KF16(10)	Aluminium	KF16CAL
KF25	Aluminium	KF25CAL
KF40(32)	Aluminium	KF40CAL
KF50	Aluminium	KF50CAL

other clamp materials and styles available

KF 6-Way Crosses



- Standard material SS 304L ...also available in SS 316L and Al
- Temperature range: -195 to 300°C ...200°C; Al. 350°C; 316L
- Custom lengths manufactured by request
- Full range of centering rings, O-rings and clamps in-stock

NW	OD dimension	A dimension	ID dimension	Wall	Part Code
KF16	20.0	40.0	16.0	2.0	KF16/6X
KF25	28.0	50.0	24.0	2.0	KF25/6X
KF40	44.5	65.0	40.5	2.0	KF40/6X
KF50	57.0	70.0	51.0	3.0	KF50/6X

all dimensions are measured in millimetres (mm) unless otherwise stated

Centering Rings & O-rings and Clamps

NW	Type	Part Code
KF16/10 adaptive	SS/VITON*	KF1610CRVSS
KF16	SS/VITON*	KF16CRVSS
KF25	SS/VITON*	KF25CRVSS
KF40	SS/VITON*	KF40CRVSS
KF50	SS/VITON*	KF50CRVSS

*Fluorocarbon (temp range -15 to 150°C). Other Centering/O-ring materials available

KF16(10)	Aluminium	KF16CAL
KF25	Aluminium	KF25CAL
KF40(32)	Aluminium	KF40CAL
KF50	Aluminium	KF50CAL

other clamp materials and styles available



Contact us...



k-tech supplies ltd
wild thyme
udimore road
broadland row
broad oak
rye
east sussex
tn31 6bx
united kingdom

web : www.ktechsupplies.co.uk
email : enquiries@ktechsupplies.co.uk
tel : +44 (0)1424 400 235
fax : +44 (0)7006 044 223